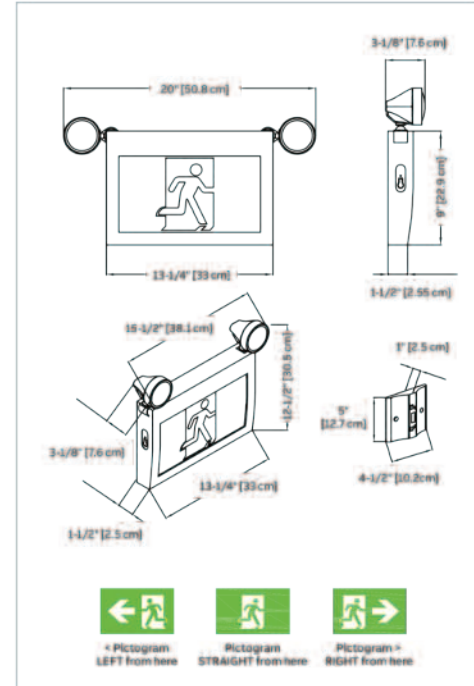




Dimensions

Dimensions are approximate and subject to change



Thermoplastic Pictogram Combo Unit

- Energy efficient, long-life white LEDs consuming 2.5 watts at normal operation
- 120/277/347 VAC input
- Universal single and double face
- Automatic, temperature compensated, pulse type charger
- Low voltage disconnect prevents over discharge of battery
- Automatic brownout protection
- Battery lock-out prevents discharge during installation
- Comes standard with three pictogram legends for direction selection
- Red LED charger monitor
- Injection-molded off-white thermoplastic ABS housing
- Fast and easy installation with snap-together design
- Ceiling, wall or end mount installation
- Meets CSA C22.2 no.141-10 listed
- 3.6V nickel-cadmium battery provides minimum 120 minutes of emergency lighting
- Fully adjustable LED glare-free lens
- Dual voltage input capability 120/347VAC
- 3.6V-2W long life LED light source
- Adjustable light heads for forward or backward lighting
- Warranty details at: www.emergi-lite.ca/



Series	Voltage	Brand
THERMOPLASTIC PICTOGRAM COMBO UNIT		
CM-PC-E	Blank = 120/277/347VAC	-E= Emergi-lite®